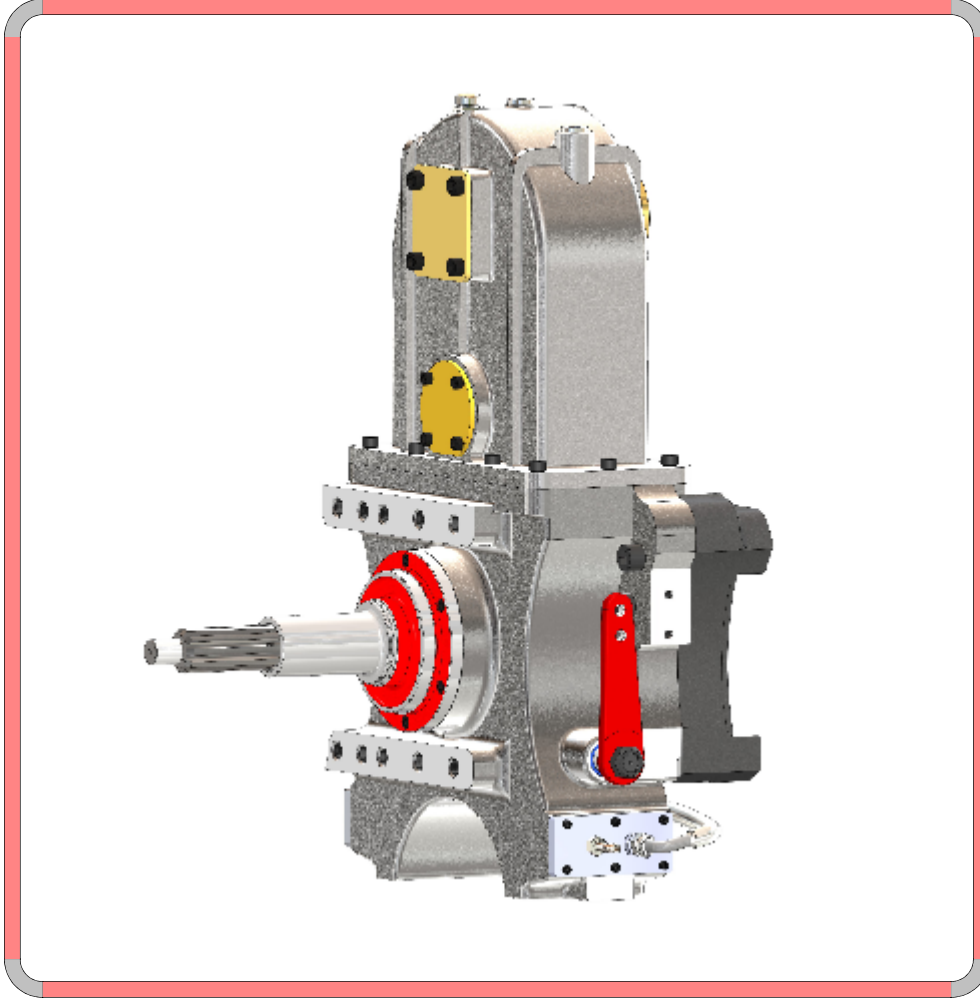




### Gearbox Type: ZF9S-1310 TO

#### General Information



- **Gearbox Type :ZF9S-1310 TO**
- **Equipment can work when in drive mode**
- **PTO output is on differential side.**
- **Product has water cooling system.**
- **Control type : Mechanic or Pneumatic**
- **Product mounted between engine flywheel and gearbox.**
- **Do not engage the equipment while in drive mod!**
- **Application Area;**
- **Fire Fighting Vehicles**
- **Road Maintenance Vehicles**
- **Application area for water tankers and other on-vehicle equipment**



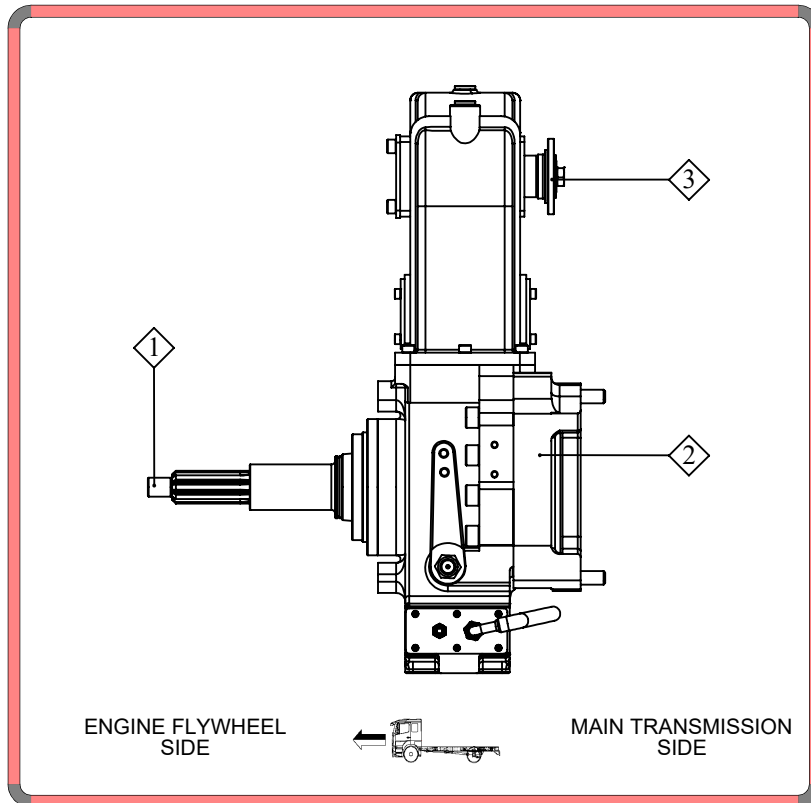


### Gearbox Type : ZF9S-1310 TO

#### Technical Details

Tecnical Values			
	Maximum Values	Internal Ratio	Working rpm Range (max.)
① & ②	4300 Nm	1/1	-
③	155 kW	1/1.5 1/2.2	3000 rpm

Weight	115 kg
Body Material	AL
Oil Type & Amount	80W-90 Up to indicator plug



- Kozmaksan reserves all rights to change information in this catalogue without prior notice. This document presents general information. It is not a contract.
- All information belongs to only PTO/Split Shaft. Do not use PTO/Split Shaft if it is not suitable for your engine and main transmission.
- Pumps, shafts and other parts should not be longer or heavier then approved distance and weight by the manufacturer of main transmission and engine

